

**Nordic Joist™ is now available in pre-cut web openings to accommodate electrical wiring, ductwork and plumbing lines.**

**Nordic Joist™ guarantees longlasting, structural integrity for a comfortable and secure home.**



# NORDIC JOIST™

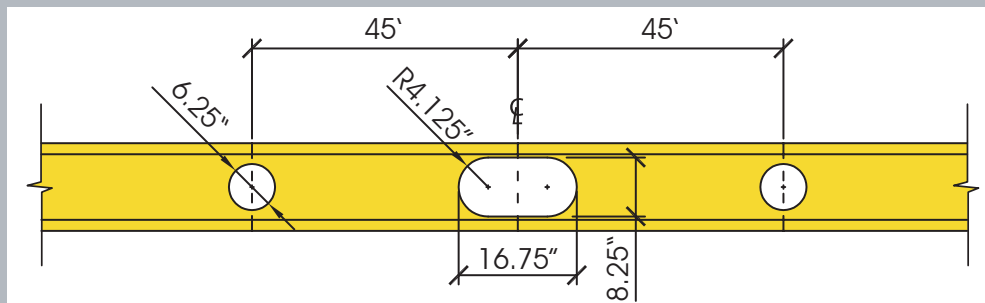
Optimize utility line installation with

## Pre-cut I-joists

Each joist component comes with three ready-made utility openings: 2 round holes of 6-1/4" in diameter and one centered oval hole of 16-3/4" long by 8-1/4" high.

Every joist can be precision trimmed on both ends to tailor-fit framing designs with greater efficiency and expediency.

I-joists 11-7/8" high are offered in various lengths.



APA approved

**Complete your project on time and on budget with ready-made utility holes.**

Contact your local distributor for details.



**HEAD OFFICE AND TECHNICAL SERVICES**  
 185 Dorval Ave., Suite 304,  
 Montreal (Quebec) H9S 5J9  
 T. 514.633.9661 / F. 514.633.0833  
 info@nordicewp.com



**Securing Our Future With Responsible Forest Management.**

ISO 9001:2000 & ISO 14001:2004 certified